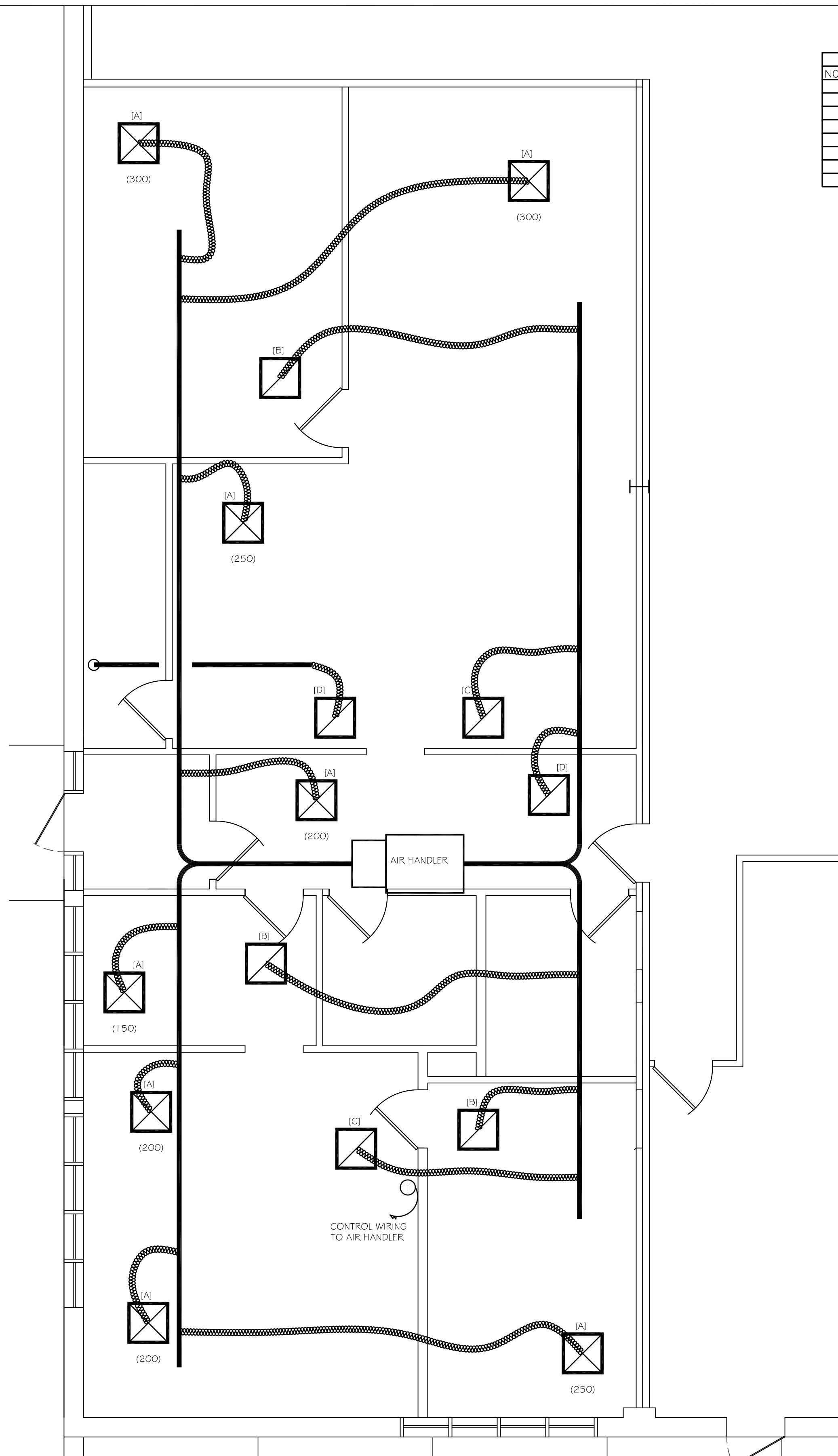
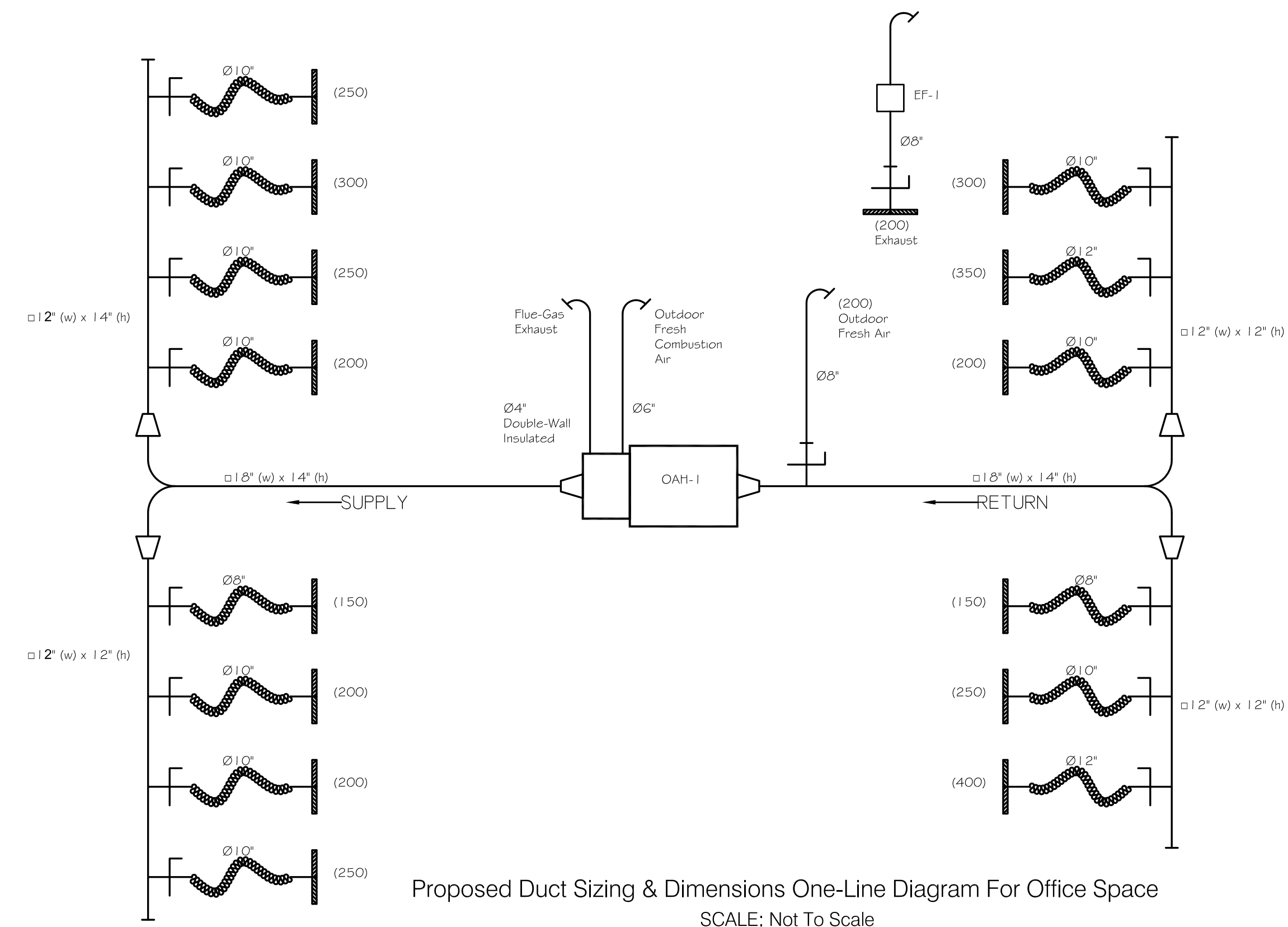


LEGEND	
NOTATION:	
A	CARNES SFTB24 24"X24" LAY-IN W/Ø10" COLLAR & W/DAMPER
B	24"X24" EGG-CRATE GRILLE W/Ø10" COLLAR
C	24"X24" EGG-CRATE GRILLE W/Ø12" COLLAR
D	24"X12" EGG-CRATE GRILLE W/Ø8" COLLAR



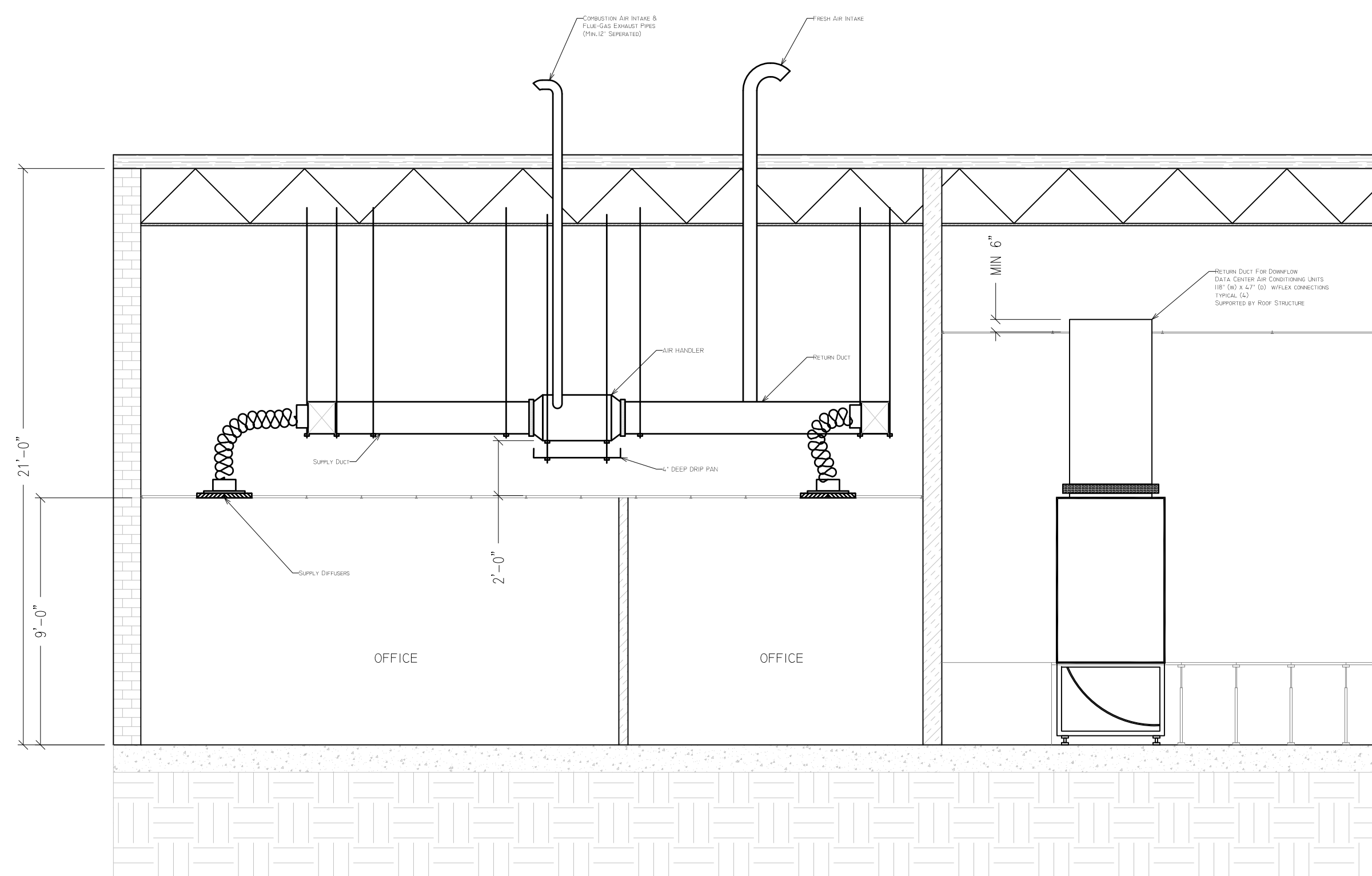
Proposed Duct Layout Above Ceiling For Office Space
SCALE: 1/4"=1'-0"



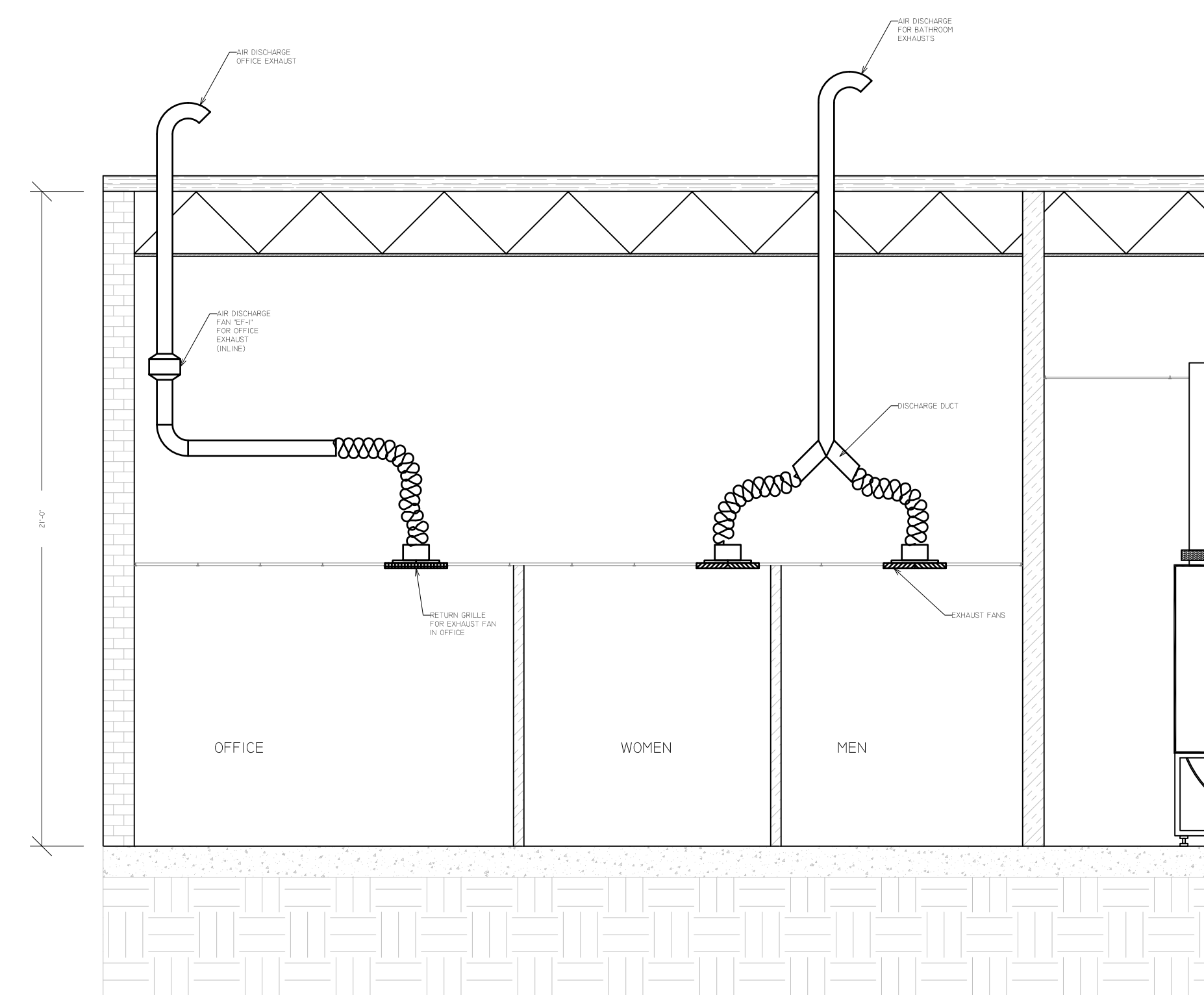
Proposed Duct Sizing & Dimensions One-Line Diagram For Office Space
SCALE: Not To Scale

- NOTES:
1. ALL DUCTWORK FOR OFFICE AREA WILL BE INSULATED.
 2. ALL RIGID DUCT WILL BE HUNG AT ROOF STRUCTURE.
 3. THERE WILL BE FLEX CONNECTIONS AT INTAKE & DISCHARGE OF EACH AIR HANDLER UNIT.

- DESIGN DETAILS:
1. TOTAL OFFICE AREA: 1,961 SQFT
 2. OCCUPANCY CRITERIA: 5 PEOPLE PER 1,000 SQFT
 3. MAXIMUM EXPECTED OCCUPANCY: 10 PEOPLE
 4. MINIMUM REQUIRED OUTSIDE AIR: 170 CFM
 5. DESIGN OUTSIDE FRESH AIR SUPPLY: 200 CFM
 6. AVERAGE AIR CHANGES FOR OFFICE SPACE: 7.1 ACH



Proposed Elevation View For Duct Layout Above Ceiling
SCALE: 1/4"=1'-0"



Proposed Elevation View For Exhaust Ventilation Above Ceiling
SCALE: 1/4"=1'-0"

TR	DATE	REVISION DESCRIPTION	BY
-	04/12/10	Issued For Permit	AG



AllCom Global Services, Inc.
201 Stag Industrial Blvd., Lake St. Louis, MO 63367
[P] 636.625.1717 [F] 636.625.6177



5524 Bee Caves Rd., Suite C-1, Austin, TX 78746
Phone: 512-328-2461
web: www.catvdesign.com



MGI NETWORK SERVICES, LLC.
2800 Longhorn Blvd., Suite 101, Austin, TX 78758
Tel: 512-795-9055 Fax: 512-491-7657
web: www.mginetworkservices.com



185 Ridgedale Avenue, Cedar Knolls, NJ 07927
Tel: 973-889-1101 Fax: 973-889-1170
e-mail: sa@sullivanusa.com

AKIN GOGUS
PROFESSIONAL ENGINEER

NJ GE048363

Project Name:

CARTERET DATA CENTER
14 Self Blvd., Carteret, NJ

Drawing Title:

Office Space Ductwork
Layout, Elevation & One-Line
Diagram

Drawn By:
A.G.
Checked By:
R.J.S.
Scale:
As Noted
Date:
04/05/2010

Project No.
Q10421-ALC

Drawing No.
M - 7