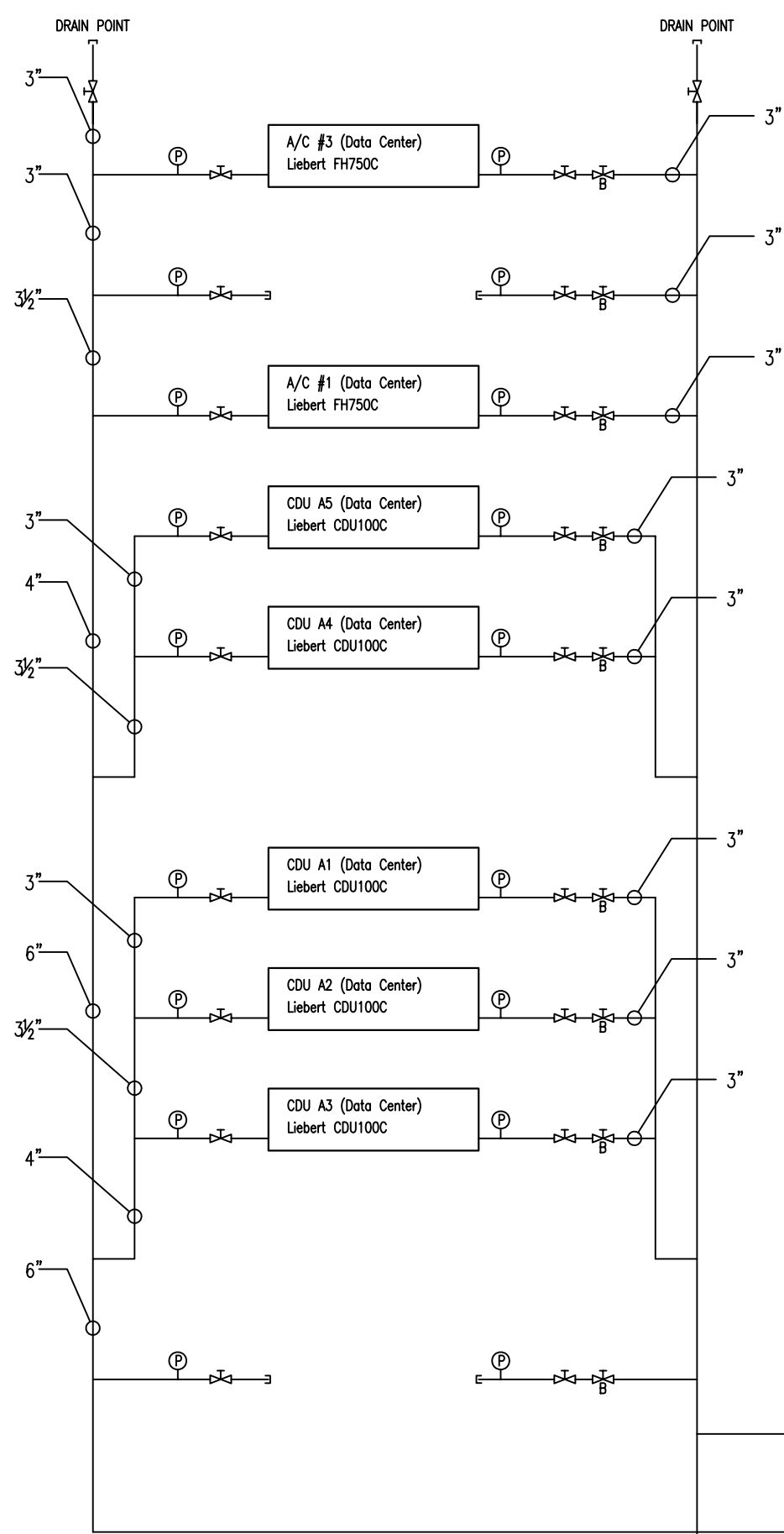
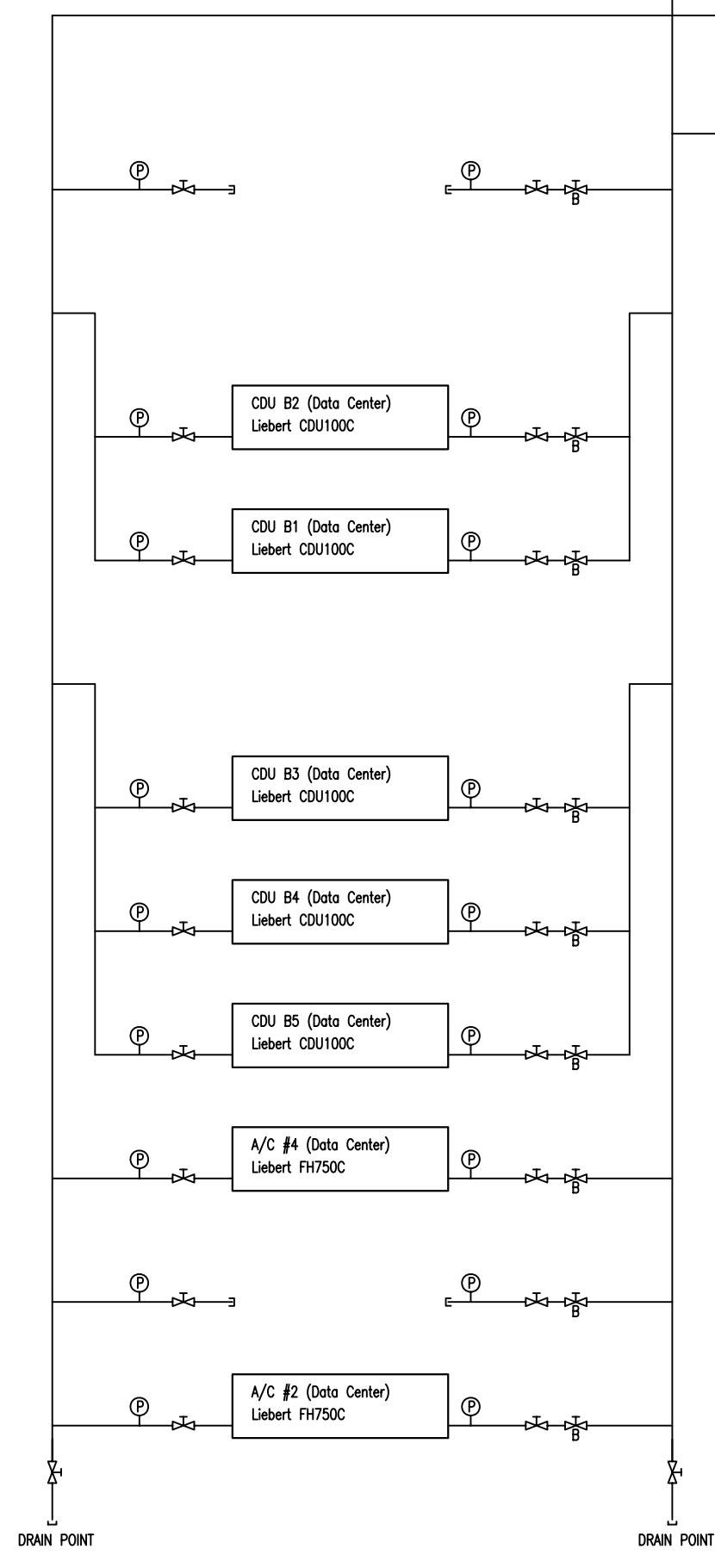


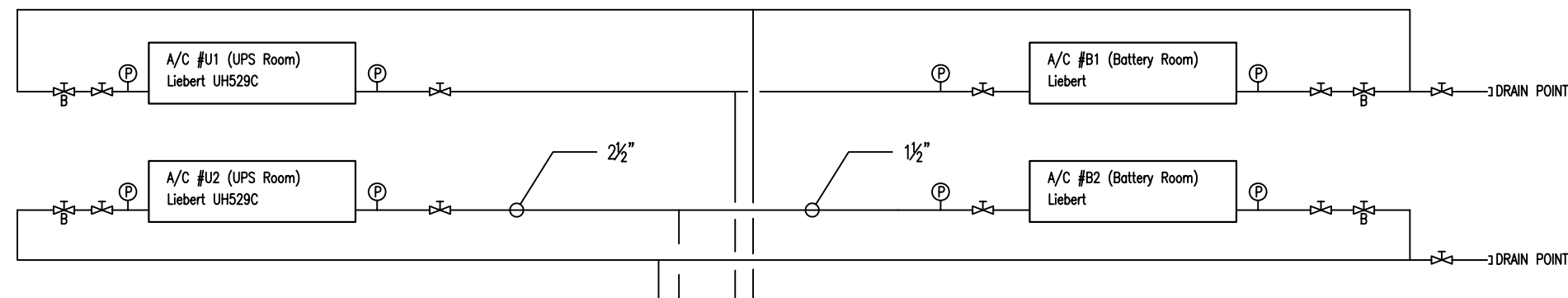
INSIDE OF DATA CENTER BUILDING



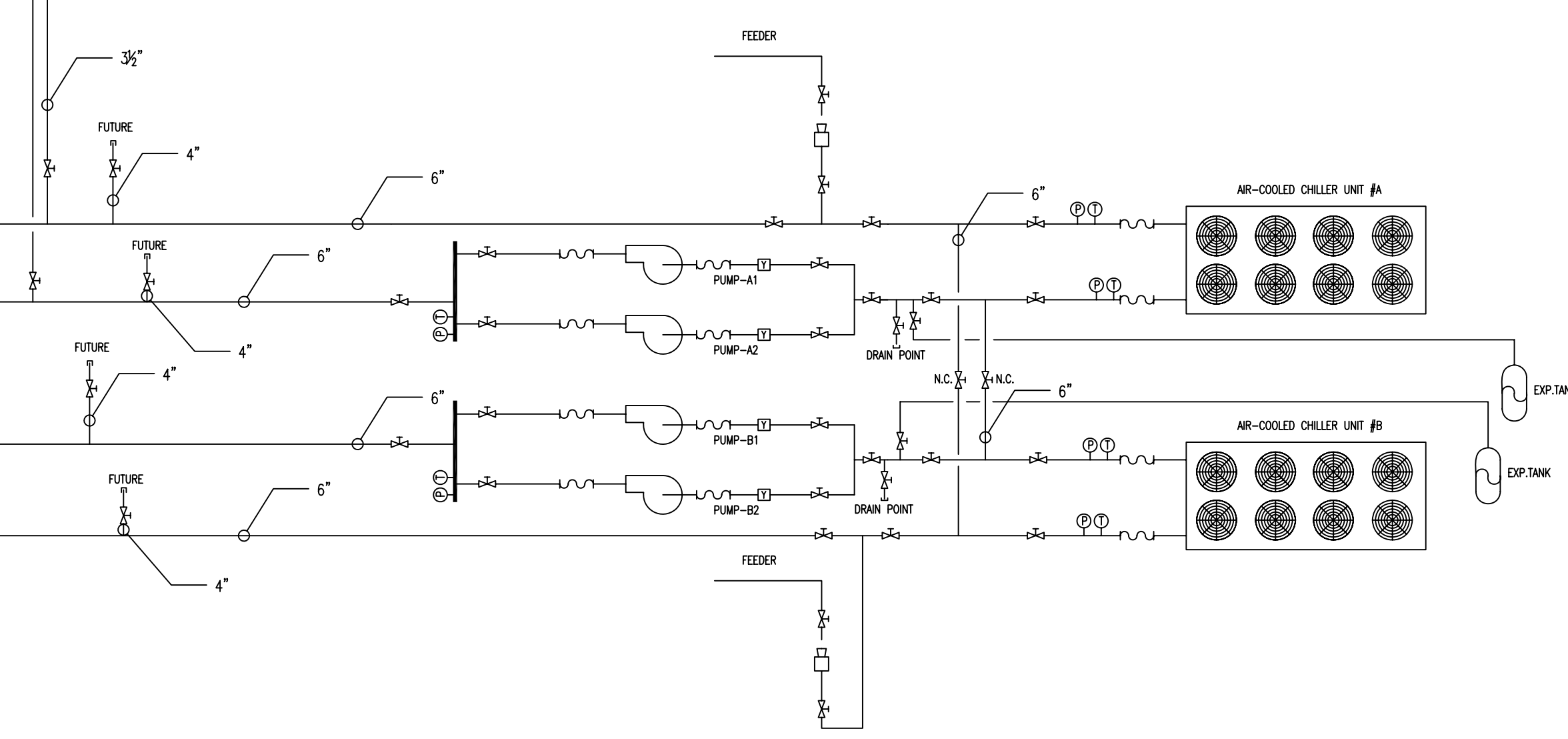
DATA CENTER



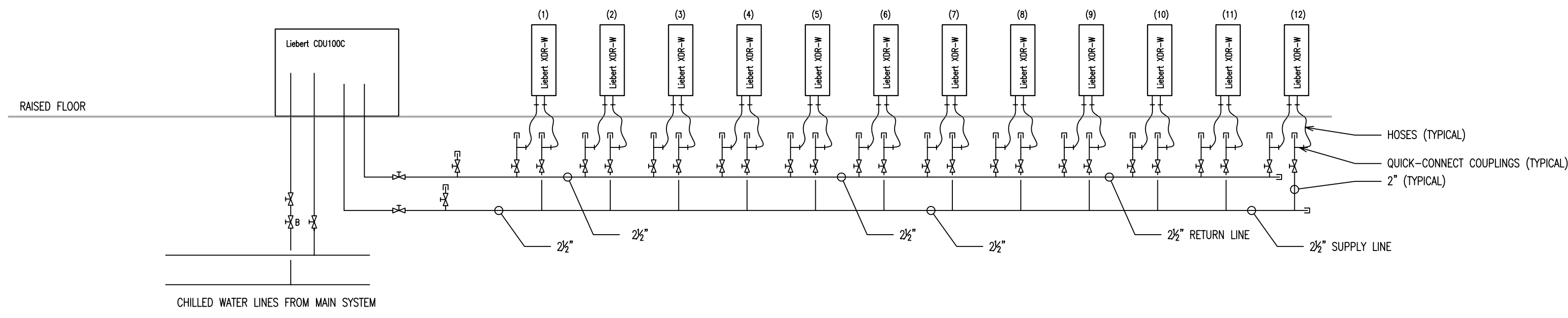
OUTSIDE OF BUILDING



INSIDE OF UPS & BATTERY BUILDING



- LEGEND
- BALANCING VALVE
  - ISOLATION VALVE
  - THERMOMETER
  - PRESSURE GAGE
  - STRAINER



Proposed New Cold Water Distribution System Piping  
(Typical For All CDU's)

Proposed New Chilled Water System Piping

LTR	DATE	REVISION DESCRIPTION	BY

**SULLIVAN ASSOCIATES**  
 185 RIDGEDALE AVENUE  
 CEDAR KNOLLS, N. J. 07927, U.S.A.  
 tel.: 973-889-1101  
 fax: 973-889-1170  
 e-mail: sa@sullivanusa.com

Project Name:  
**CABLE & WIRELESS Int.**  
**BERMUDA**

Drawing Title:  
 Proposed New Chilled Water  
 & Cold Water Piping Systems  
 One-Line Diagrams

Drawn By:  
 A.G.  
 Checked By:  
 R.J.S.  
 Scale:  
 N.T.S.  
 Date:  
 03/21/2008

Project No.  
**P07534-CW**

Drawing No.  
**M - 8**